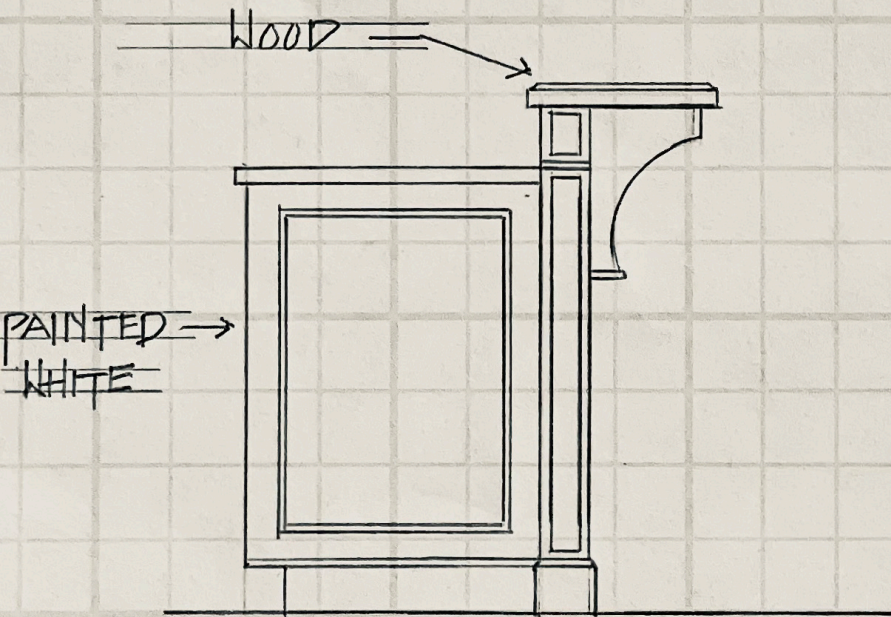


Breathing new life . . .

Transforming a
traditional
kitchen.

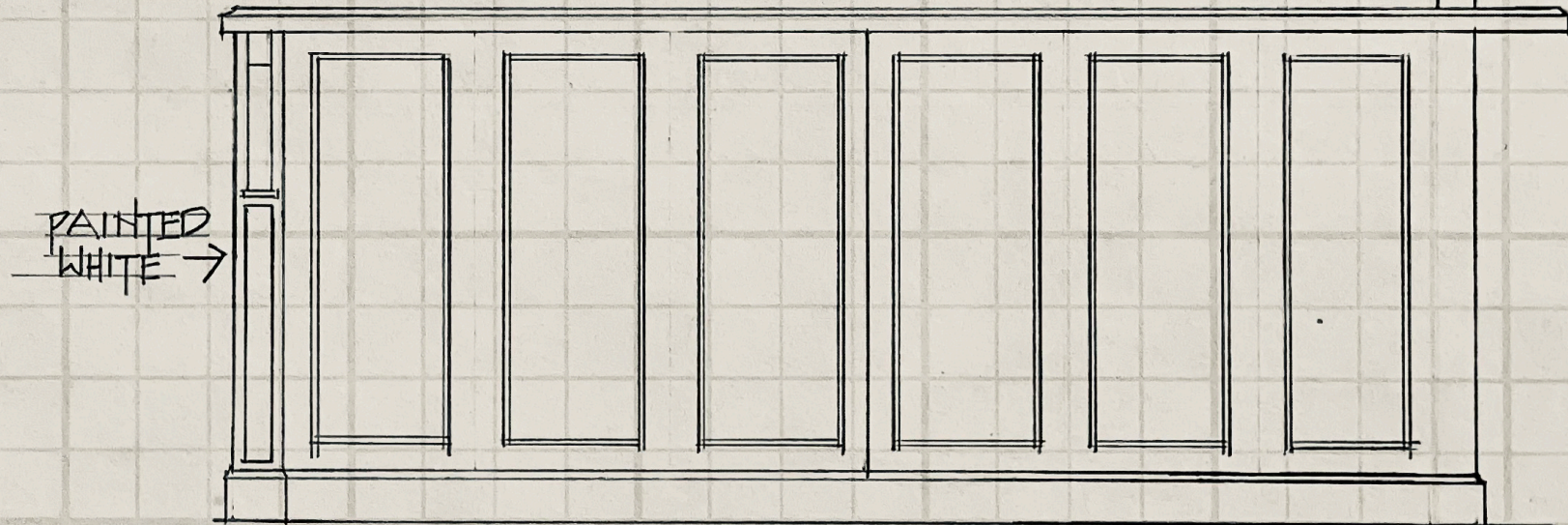


Starting with a design plan first is the most important part of any remodel.



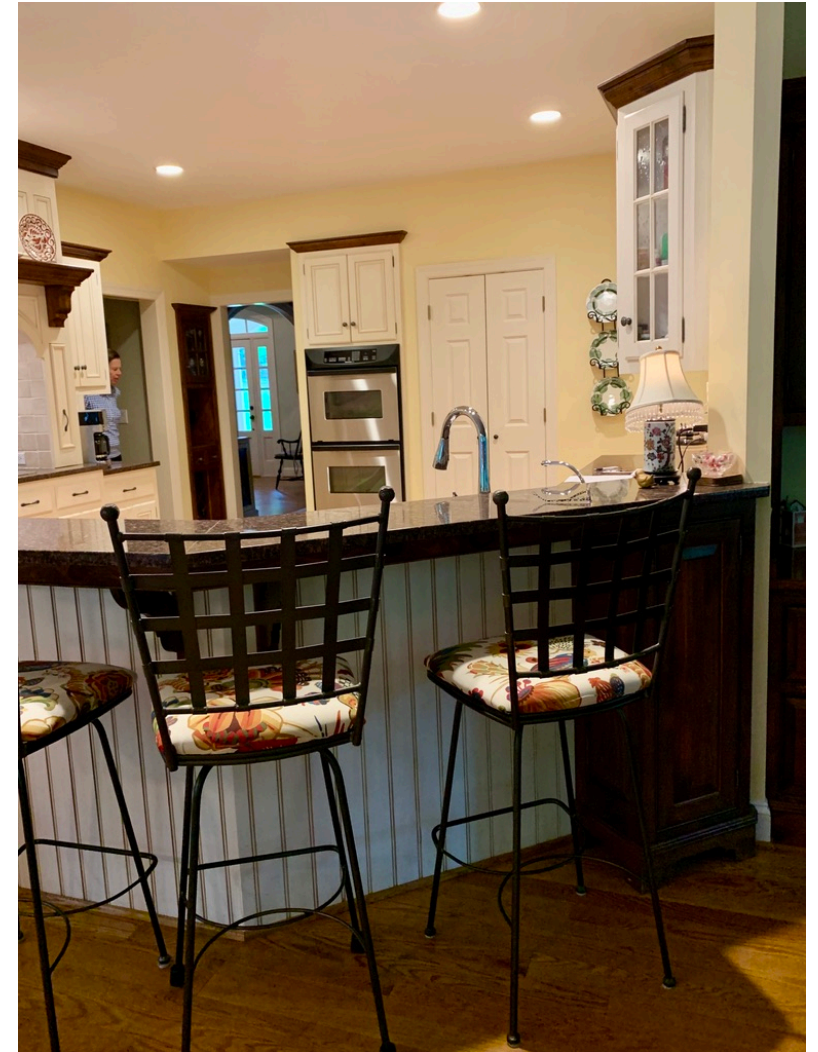
SIDE VIEW

SCALE - 1/2" = 1'-0"



PENISULA

Before pictures show a well used kitchen that was ready for an update.



Its all in the details



The spice drawers were designed into the lower cabinet to allow for more counter space and an open cooking area.

An old wine station was removed to make way for a full integrated wine refrigerator. The narrow space was a perfect fit for it.



The old pantry opened with two doors which had shelves lined inside. The new wall unit includes pull out shelves for easy to reach item stored in the back.



Light And Bright

The fireplace was visible in the family room next to the kitchen and breakfast nook. To complete the remodel, it also needed an update.

